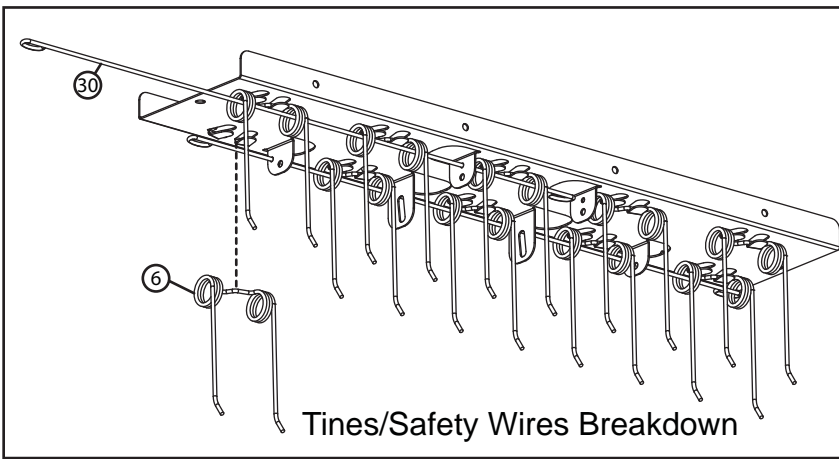


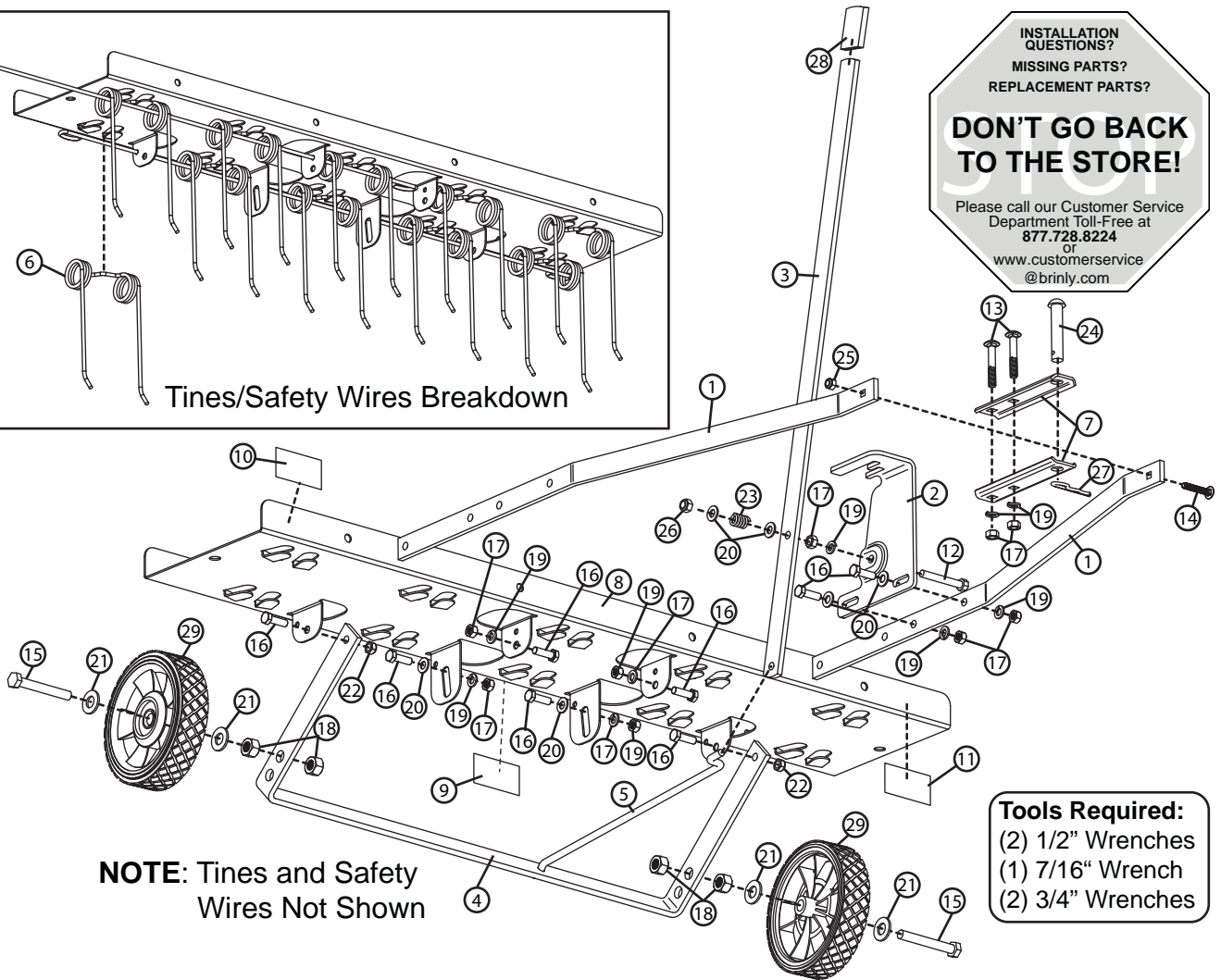
COMPONENT VIEW AND REFERENCE LIST



INSTALLATION
QUESTIONS?
MISSING PARTS?
REPLACEMENT PARTS?

**DON'T GO BACK
TO THE STORE!**

Please call our Customer Service
Department Toll-Free at
877.728.8224
or
www.customerservice
@brinly.com



NOTE: Tines and Safety
Wires Not Shown

Tools Required:
(2) 1/2" Wrenches
(1) 7/16" Wrench
(2) 3/4" Wrenches

REF	PART NO.	DESCRIPTION	QTY	REF	PART NO.	DESCRIPTION	QTY
1	1008484-10	Towbar	2	16	2M1016P	Hex Hd. Bolt, 5/16" X 1"	8
2	1008486-10	Lift Lock	1	17	30M1000P	Nut, 5/16"	9
3	1008487-10	Handle	1	18	30M1600P	Nut, 1/2"	4
4	1008488-10	Wheel Bracket	1	19	40M1000P	Lock Washer, 5/16"	9
5	1008557	Control Rod	1	20	45M1111P	Flat Washer, 5/16"	6
6	R-616	Tine	10	21	45M1717P	Flat Washer, 1/2"	4
7	R-892-10	Clevis	2	22	B-1674P	Lock Nut, 5/16"	2
8	1008473-10	Tray	1	23	B-3805	Spring	1
9	1008563	BH Logo Decal	1	24	B-3861	Hitch Pin, 1/2" X 2-1/2"	1
10	B-7063	Caution Label	1	25	B-4785	Nylock Nut, 1/4"	1
11	L-1744	Serial No. Label	1	26	B-4786	Nylock Nut, 5/16"	1
12	1008605	Hex Hd. Bolt, 5/16" X 2-1/4"	1	27	D-146P	Hairpin Cotter, 1/8"	1
13	10M1032P	Carriage Bolt, 5/16" X 2"	2	28	R-1882	Vinyl Grip	1
14	11M0824P	Carriage Bolt, 1/4" X 1-1/2"	1	29	1008587	Wheel, 6" X 1.5"	2
15	1M1648P	Hex Hd. Bolt, 1/2" X 3"	2	30	R-1503	Safety Wire, 40"	2